

WHOLE HOUSE SURGE PROTECTION 200 AMP



Member cost: \$6.95/month + \$25 installation cost

The 575-1SL-A Meter Based SPD is Listed to the current industry standards and stops surges right at the electric meter before they can enter the house. The 575-1SL-A is based on a proven design that has been in the field since 1987.

Units are equipped with SUNBRIGHT® diagnostics with 1000 MCD LEDs that are fully visible in the brightest sunlight and have proven reliable in the field for over 20 years.

Units contain large diameter MOVs with "smart sensing" technology that distinguishes between surges and overcurrent events. The product complies with all current and proposed safety requirements. The 575-1SL-A is a Type 1 Surge Protective Device (SPD) that is Listed to ANSI/UL 1449 3rd Edition 2009.

A 15 Year Product Warranty and concurrent Consequential Warranty are included (residential applications only). Additional warranty terms are available.



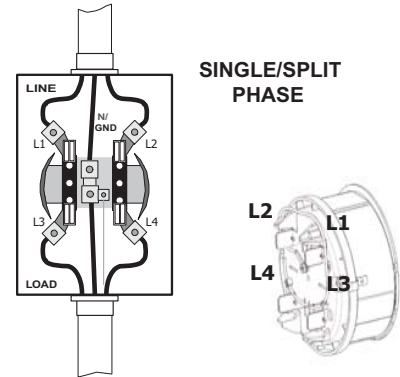
Model Number: 575-1SL-A

Product Specifications		Notes
Applied Voltage*	120/240 Vac (120V L-G)	
Max Surge Current	120kA (60kA per phase)	
MCOV*	175 Volts (uses large diameter MOVs)	
Max Load Current	320 Amps (260 Amps Continuous) attained in HQ-5 L&G 240 Amps (200 Amps Continuous) attained in UAT-4 L&G	
Short Circuit Current* ¹	10k RMS Symmetrical Amps	
Housing Rating	3R (UL 414) with UV inhibitors	
Product Weight	1.4 lbs.	
Product Dimensions	3.2" x 6.9" (1.5" installed depth)	
Connection Method	Meter Base 4/5 Jaw Blades	
Operating Temperature*	-40 to +140 F (-40 to +60 C) ±10%	
Operating Frequency	50/60 Hz	
Operating Altitude	-200 ft. to +15,000 ft.	
Diagnostics	Red Status LED, SUNBRIGHT	
Safety Standards (Type 1 SPD)	ANSI/UL 1449 3rd Ed. (Sept. 2009)	
VPR (Suppressed Voltage)*	600 Volts (8x20µs, 6kV/3kA)	
I _n *	20 kA (nominal discharge current)	

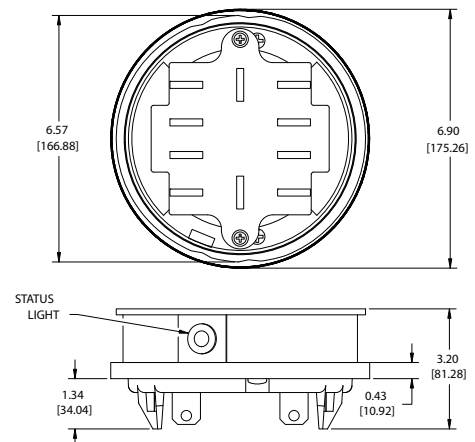
*Required by ANSI/UL 1449 3rd Edition

¹No external fusing used. Electric meter included.

Installation



Dimensions



WHOLE HOUSE SURGE PROTECTION 400 AMP



Member cost: \$8.95/month + \$25 installation cost

The CL320 Series Meter Based SPD is for use in 320 Amp continuous meter sockets and meets the current industry standards. The CL320 stops surges right at the electric meter before they can enter the building.

Units are equipped with SUNBRIGHT® diagnostics with 1000 MCD LEDs that are fully visible in the brightest sunlight and have proven reliable in the field for over 20 years.

Units contain "smart sensing technology" that distinguishes between surges and overcurrent events. The product complies with all current and proposed safety requirements. The CL320 Series is a Type 1 Surge Protection Devices (SPD) that is Listed to UL 1449 3rd Edition 2009.

The integration of design, performance and safety features in the METER-TREATER makes it an ideal choice for Utility Power Quality Programs.

A 15 Year Product Warranty and concurrent Consequential Warranty are included (residential applications only). Additional warranty terms are available.



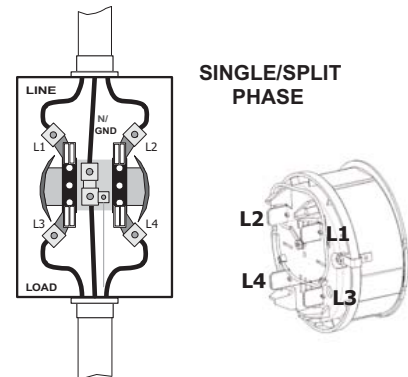
Rated for 320 Amp (400 MAX) Continuous Service

Model Number: CL-320

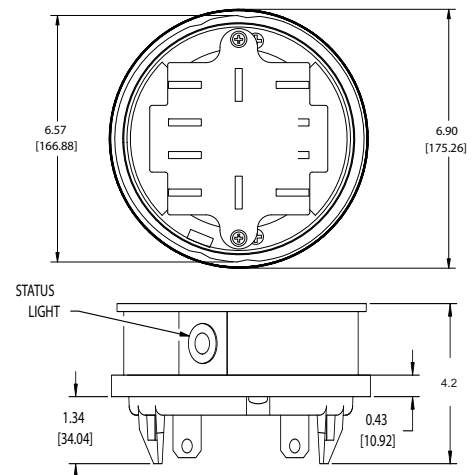
Product Specifications		Notes
Applied Voltage*	120/240 Vac	
Max Surge Current	100kA (50kA per phase)	
MCOV*	180 Volts	
Max Load Current*	320 Amps Continuous (400 MAX)	
Short Circuit Current*1	10k/25k RMS Symmetrical Amps	
Housing Rating	3R (UL 414) with UV inhibitors	
Product Weight	3 lbs.	
Product Dimensions	4.2" x 6.9" (2.45" installed depth)	
Connection Method	4 Heavy-Duty Machined Jaw Blades	
Operating Temperature*	-40 to +140 F (-40 to +60 C) ±10%	
Operating Frequency	50/60 Hz	
Operating Altitude	-200 ft. to +15,000 ft.	
Diagnostics	Red Status LED, SUNBRIGHT	
Safety Standards (Type 1 SPD)	UL 1449 3rd Ed. (Sept. 2009)	
VPR (Suppressed Voltage)*	600 Volts (8x20µs, 6kV/3kA)	
I _n *	20 kA (nominal discharge current)	

¹No external fusing used. Electric meter included in testing.
*Required by UL 1449 3rd Edition

Installation



Dimensions



WHOLE HOUSE SURGE PROTECTION 3-PHASE



Member cost: \$14.95/month + \$25 installation cost

The 675 Series Meter Based SPD meets the current industry standards and stops surges right at the electric meter before they can enter the house. A field proven design since 1987.

Units are equipped with SUNBRIGHT® diagnostics with 1000 MCD LEDs that are fully visible in the brightest sunlight and have proven reliable in the field for over 20 years.

All units contain short circuit and thermal fusing, a "smart sensing technology" that distinguishes between surges and overcurrent events. The product complies with all current and proposed safety requirements. The 675 Series is a Three Phase Type 1 Surge Protection Devices (SPD) that is Listed to UL 1449 3rd Edition 2009.

The integration of design, performance and safety features in the METER-TREATER makes it an ideal choice for Utility Power Quality Programs.

The Standard 15 Year Product Warranty is included.



Model Number: 675-3PA

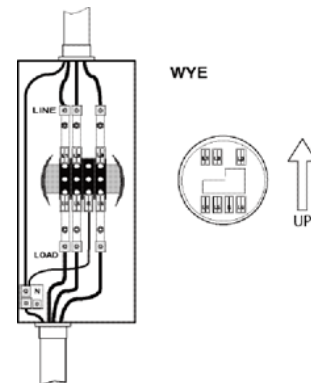
Product Specifications

Applied Voltage*	260 Vac MAX
Max Surge Current	100kA (50kA per phase)
MCOV*	270 Volts
Max Load Current*	200 Amps Continuous (250 MAX)
Short Circuit Current* ¹	10k/25k RMS Symmetrical Amps
Housing Rating	3R (UL 414) with UV inhibitors
Product Weight	3 lbs.
Product Dimensions	4.2" x 6.9" (2.45" installed depth)
Connection Method	Meter Base 7 Jaw Blades
Fusing	Thermal and Short Circuit Fusing
Operating Temperature*	-40 to +140 F (-40 to +60 C) +/- 10%
Operating Frequency	50/60 Hz
Operating Altitude	-200 ft. to +15,000 ft.
Diagnostics	Red Status LED, SUNBRIGHT
Safety Standards (Type 1 SPD)	UL 1449 3rd Ed. (Sept. 2009)
VPR (Suppressed Voltage)*	1200 Volts (8x20μs, 6kV/3kA)
I _n *	20 kA (nominal discharge current)

¹No external fusing used. Electric meter included.

*Required by UL 1449 3rd Edition

Installation



Dimensions

